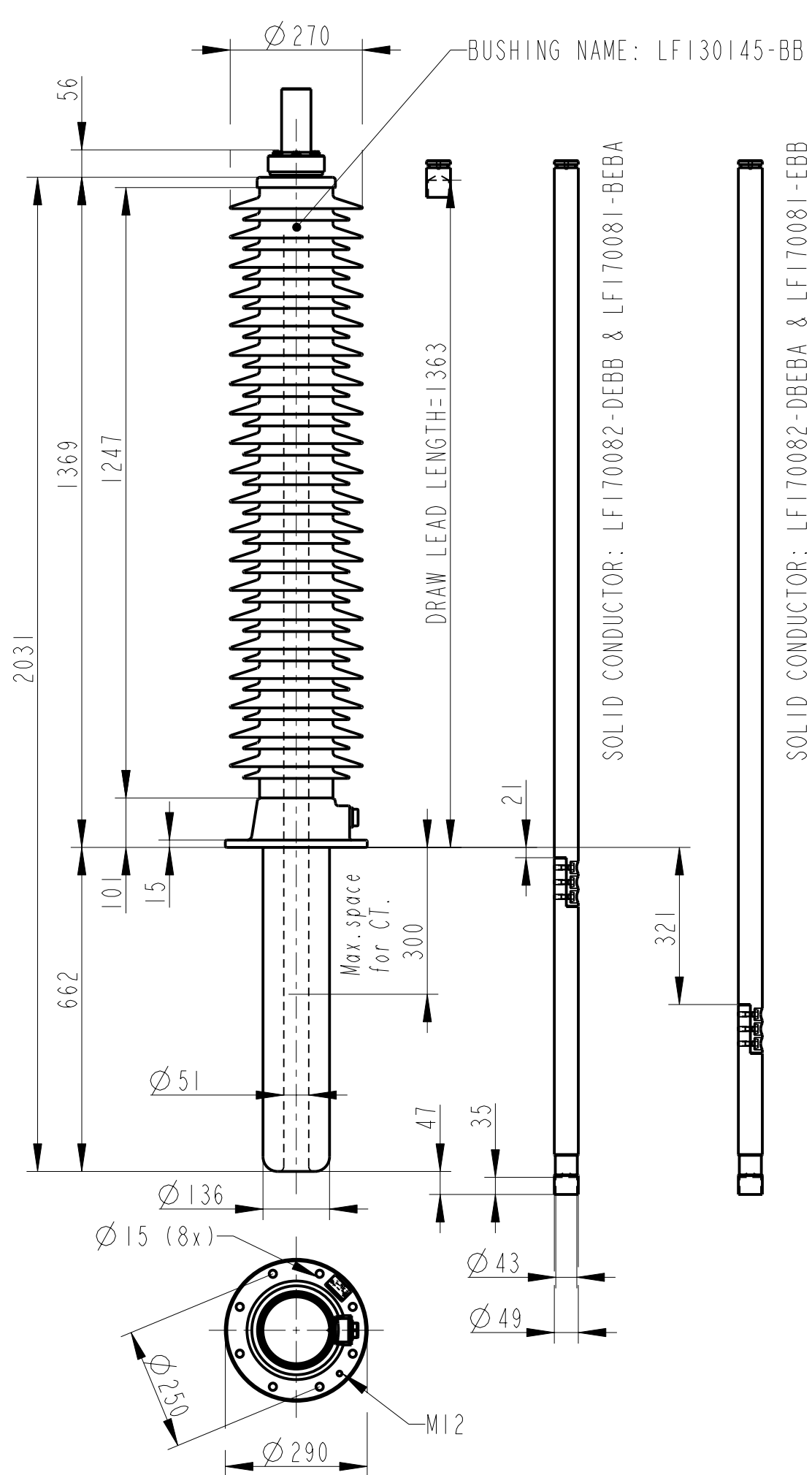
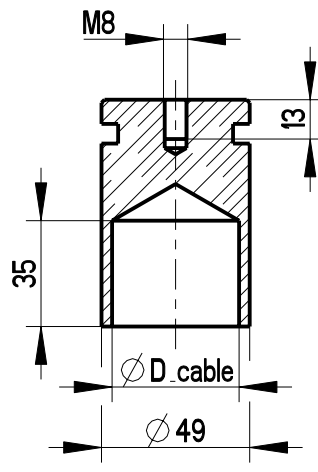


Rev	Ind	Revision	Appd	Date
1		Electrical data changed	JL	02 19



INNER TERMINAL		
Catalogue No	D cable	MASS
LF170080-A	5	1
LF170080-B	11	1
LF170080-C	13	1
LF170080-D	15	1
LF170080-E	18	1
LF170080-F	30	1
LF170080-G	42	1
LF170080-H	45	1
LF170080-N	20	1



OUTER TERMINAL					
Catalogue No	Material	Mass	H2	Ø Stud	
LF170079-A	AL	2.3	125	60	
LF170079-B	AL	1.6	125	30	
LF170079-C	CU	6.2	125	60	
LF170079-D	CU	3.6	125	30	
LF170079-E	CU/SN	6.2	125	60	
LF170079-F	CU/SN	3.6	125	30	
LF170079-G	CU/AG	6.2	125	60	
LF170079-H	CU/AG	3.6	125	30	

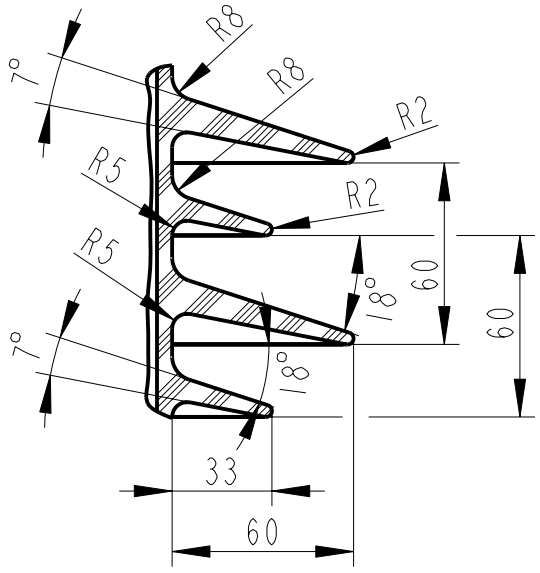
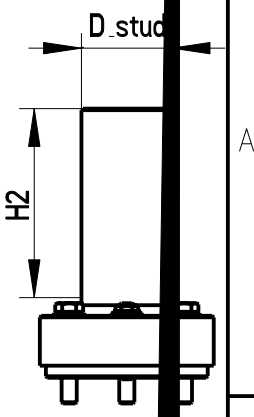


ABB PTP Components Ludvika, Sweden

GSA145-OA/1600/0.3 LF130145-BB

No. 170/170 kV 1600 A 50-60 Hz

U₁ / U₂ / AC 650 / - / 300 kV

M 57 kg L 662 mm V 0-90

C1 pF Tan δ :

C2 pF Tan δ :

ELECTRICAL DATA, according to IEC 137		
Ratings	Rated voltage	170 kV
	Max phase to earth voltage, temporary	170 kV
	Max current with Cu-conductor	1600 A
	Max current with stranded cable 740 mm ²	1000 A
	Dry lightning impulse	650 kV
	Wet power frequency	275 kV
Routine test	Dry power frequency	310 kV
Capacitance	Nominal capacitance	337 pF

GENERAL DATA, according to IEC 137		
Silicone rubber	Creepage distance	4595 mm

Mounting and service instructions 2750 515-115

ELECTRICAL DATA according to ANSI C57.19.00		
Ratings	Insulation class	138 kV
	Rated max. line to ground voltage	102 kV
	Max current with Cu-conductor	1600 A
	Max current with stranded cable 740 mm ²	1000 A

Dim. requirements acc. to C57.19.01 not fulfilled.

Signatures acc. to Revision 0 are valid Signaturer enligt Revision 0 gäller Production engineering review ÅSMO Inspection engineering review K-E ANDERSSON Design engineering review F. STÄHLE	Based on	Reg. No.	Title	Language 82 Page 1(1) Document No. 2751362-EBB
	Prepared P. SJÖBERG	Responsible department COM/BK 0024		
	Approved H. JOHANSSON	Take over department		
	Revision	Database		

We reserve all rights in this document and in the information contained therein. Reproduction, use or disclosure to third parties without express authority is strictly forbidden. © ABB